

VITO 60

Spec sheet

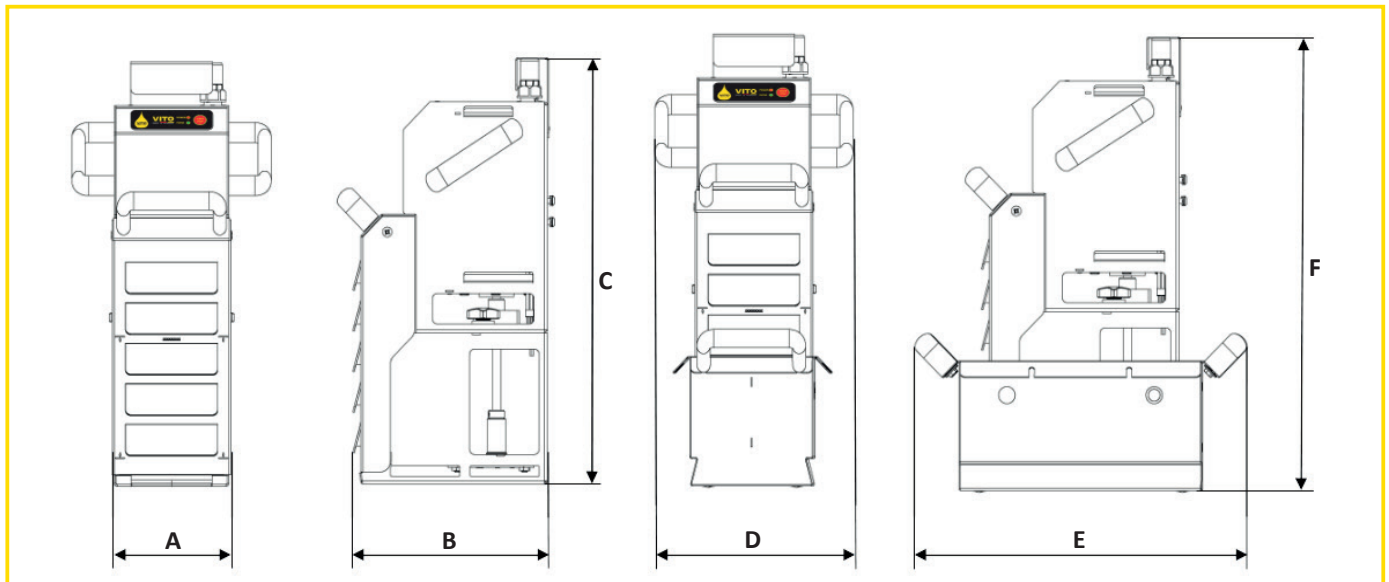


Functionality:

VITO 60 cleans your coolant in an easy way without supervision. VITO is placed directly in the lubricant and filters it from chips and other micro-particles. In addition, VITO ventilates the lubricant during the filtration. After the set time (standard 15 min) VITO stops the filtration automatically.

Features:

- ▲ For all industrial basins
- ▲ Operating temperature up to 200°C
- ▲ Pressure flow filtration
- ▲ Automatic filtration - VITO stops after the set time
- ▲ Automatic safety off - VITO has integrated heat protection
- ▲ VITO made out of stainless steel (1.4301) and other rustproof materials
- ▲ Pump-filter unit and drip pan can be machine cleaned
- ▲ Visual signals



VITO 60 technical Data:

	Width A	Depth B	Height C			Width D	Depth E	Height F
	116 mm	191 mm	398 mm			195 mm	324 mm	426 mm
Filtration power	Filtration efficiency	Particle capacity	Work cycle	Suction depth	Max. power	Power connection	Fuse inside	Protection
up to 60 l/min	5 µm effective/ 20 µm nominal	1,7 l	15 min (adjustable)	~35 cm	300 W	220 - 240 V, single phase	4 AT	Protection Earth (PE)
Total weight	Weight	Temperature	Material					
8,9 kg (with drip pan)	7,7 kg (without drip pan)	max. 200 °C	Stainless steel 1.4301					

Accessories:

- ▲ Data reader for usage control
- ▲ Brackets to accommodate all industrial basins
- ▲ Particle filters

V 3.1



VITO AG

P: +49 (0) 7461 / 1508050
F: +49 (0) 7461 / 1508051

info@vitofilter.com
www.vitofilter.com