



### VITO XM - vacuum filtration system for coolant lubricants, oils and watery solutions

VITO XM is perfect for all basins up to 75 l / 137 lbs

#### Functionality:

VITO XM cleans the coolant lubricant and stores it in its 75 l / 137 lbs tank. It provides an easy transport in your workplace. Like every VITO filter system the XM provides a microfiltration up to 5 µm. The optimal quality of your coolant lubricant is preserved. The unique design makes sure the XM provides highest safety at work, due to avoiding direct contact with the lubricant. After filtration the lubricant can easily be pumped back into the basin.

The VITO XM saves coolant lubricant, labour, stock ground and transport costs.

#### Big savings:

- less tool wear
- less personnel costs
- less transport costs
- less storage costs
- fast amortization

#### Constant quality...

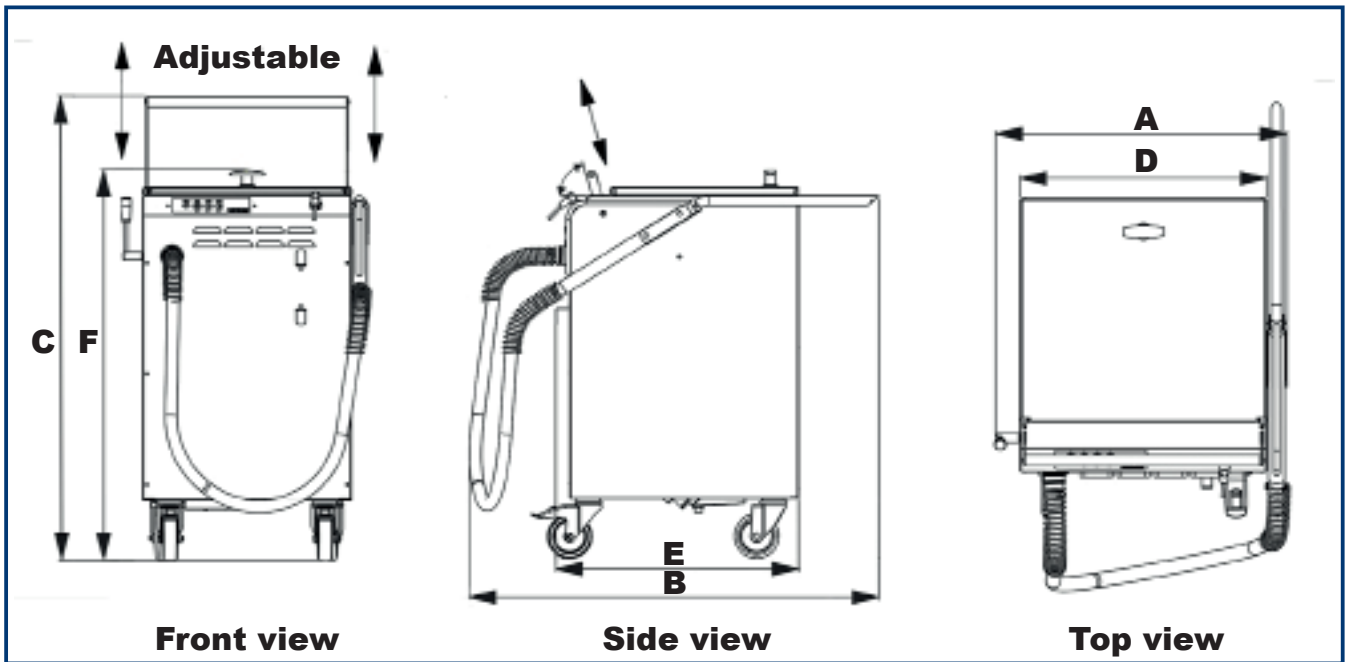
- ...of your coolant lubricant
- ... of your work pieces

#### Easy handling:

- fast vacuum filtration
- low cleaning effort

# VITO XM

## Spec-Sheet



### VITO XM technical data:

	Width A	Depth B	Height C		Width D	Depth E	Height F
<b>Assembled</b>	553 mm 21.8 in	883 mm 34.8 in	1044 mm 41.1 in	<b>Compact</b>	469 mm 18.5 in	551 mm 21.7 in	879 mm 34.6 in
Filtration power	Filtration efficiency	Particle uptake	Pumping capacity	Tank	Weight	Temperature	Material VITO
up to 30l/min 66lbs/min	up to 5µm 0.2µinch	10,7 kg 23.54 lbs	35l/min 77 lbs/min	75l 137 lbs	55,8 kg 123 lbs	max. 200 °C max. 397°F	Stainless steel 1.4301

### Additional information:

- Adjustable top handle
- Automatic off - Tank with built-in lubricant level sensor
- Casing made of stainless steel 1.4016, filtration basket and tank are made of stainless steel 1.4301



Changeable polyester cellulose filter