



VITO® 90 - Filtration system for coolant lubricants, oils and watery solutions

Functionality:

VITO® 90 can be placed easily into the tank for a fast cleaning:

You can clean and filter all of your baths immediately - the patented mechanical micro filtration technology of VITO only needs a couple of minutes. The result is a clean high quality coolant lubricant, oil and watery solution - freed from chips and solids.

Advantages of the VITO® 90:

- Cleaning and ventilation of coolant lubricants, oils and watery solutions
- Prolong the usage time of your tools
- Fast amortisation
- Less consumption of coolant lubricants, oils and watery solutions
- Cleaning of all industrial basins and tanks
- Collection of chips and grinding debris
- Less disposal cost
- Less germs and smell
- Maintenance free
- Fast, automatic pressure-flow-filtration
- less sickness
- reduce CO₂ emissions

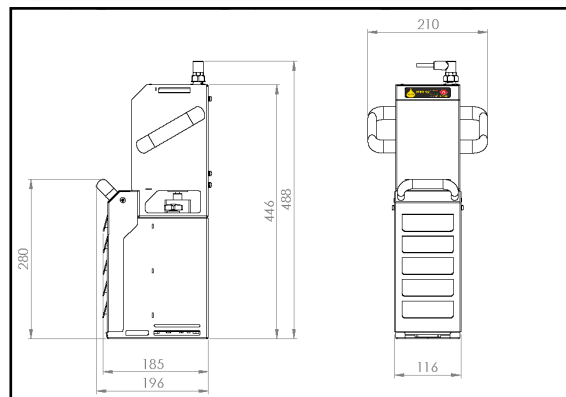
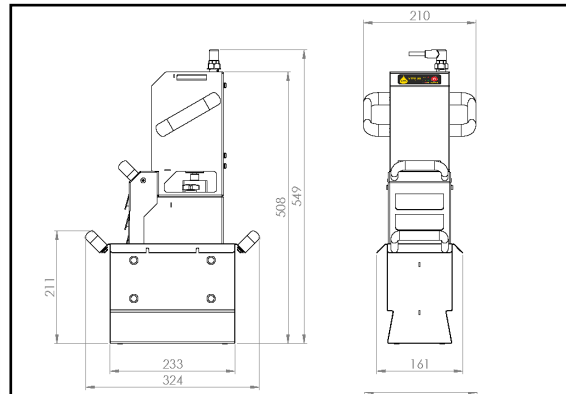
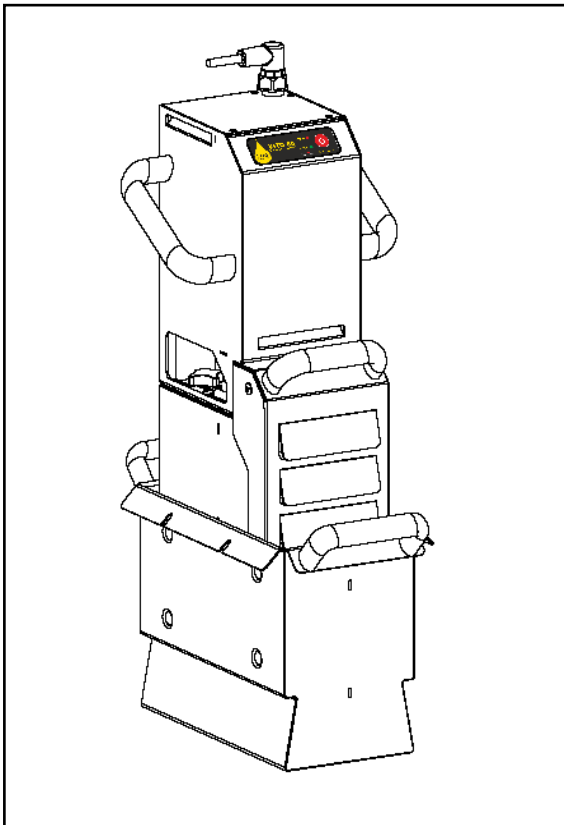


VITO AG

P: +49 7461 962890
F: +49 7461 9628912
info@vito-industrial.com
www.vito-industrial.com

www.vito-industrial.com





VITO® 90 - Filtration system for coolant lubricants, oils and watery solutions

Technical Data:

- **Dirt hold capacity:** 2,5 L (0,66 gal)
- **Filtration efficiency:** 20 µm nominal (0,0008 inch) / 5 µm effective (0,0002 inch)
- **Filtration power:** up to 95 liters per minute (25 gal)
- **Filtration cycle time:** 4,5 Minuten (adjustable)
- **Casing and filterbox:** Stainless steel 1.4301
- **Max. power:** 500 W
- **Power connection:** 220-240 V (100-120 V), 50-60 Hz
- **Immersion depth:** 48 - 148 mm (1,189 - 5,83 inch)

Lettered dimensions:

Width:	116 mm (4,57 in)
Depth:	185 mm (7,28 in)
Height:	488 mm (19,21 in)
Weight:	9.2 kg (20,28 lbs)

Shipping dimensions:

Width:	400 mm (15,75 in)
Depth:	500 mm (19,69 in)
Height:	250 mm (9,84 in)
Weight:	13 kg (28,66 lbs)