



**Industrial fluid
care and filter**

Your daily routine: The attrition

Cutting fluid

Tasks:

- 💧 Cooling
- 💧 Greasing
- 💧 Cleaning
- 💧 Rinsing
- 💧 Corrosion control

Challenges:

- 💧 Increased tool wear
- 💧 Staff shortages due to sickness
- 💧 Forming of bacteria and fungus
- 💧 High maintenance costs

Targets:

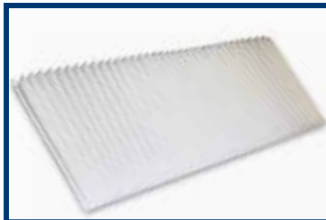
- 💧 Increase speed of operation
- 💧 Increase surface quality
- 💧 Protection of tools
- 💧 Decreasing operating costs

VITO

Your solution - The VITO product line



The VITO product line supports you with your coolant lubricant management. VITO cleans your coolant lubricant, oil and watery solution and prolongs the performance. Start improving quality, reduce costs and save time with the mobile filtration system.



Before filtration



After filtration



VITO 60

Suitable for small industrial basins



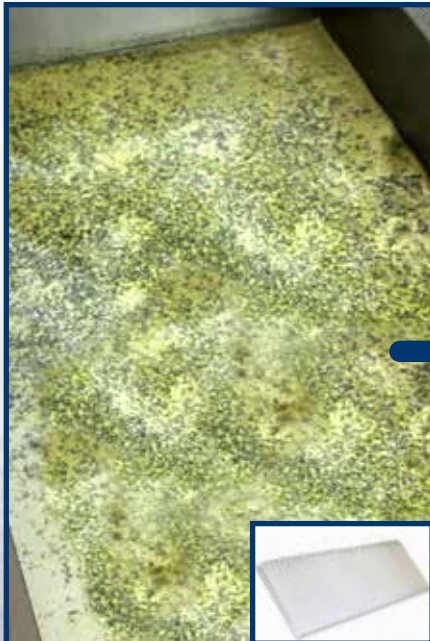
VITO 90

Suitable for all industrial basins

made
in
Germany

VITO - The filtration process

VITO removes chips and solids from your cutting fluid in only a few minutes. The illustration below clarifies the pressure flow filtration of VITO. The vortex creates a strong suction of particles and cutting fluid.



**Industrial basin
before filtration**



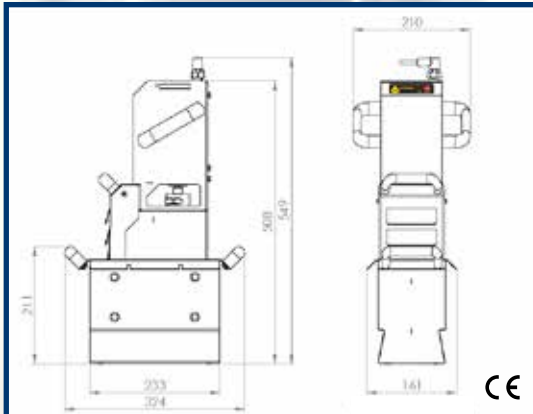
VITO in use



**Industrial basin
after filtration**

VITO - Machine & filter

The VITO removes particles up to 5µm. The patented mechanical filtration reduces forming of bacteria and fungus in a couple of minutes. The patented, mechanical microfiltration of VITO needs only a few minutes for that.



made
in
Germany



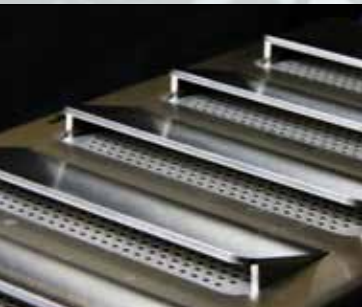
The machine:

- Pressure-flow-filtration
- Filtration power up to 60-90l per minute
- Adjustable cycle time (pulsed operation available)

The filter:

- Polyester cellulose filter
- Surface of the filter 0,25 m²
- Filtration grade 20 µm nominal / 5 µm effective
- Grammage of 100 g/m²

VITO 60 & 90 - Technical details



	Filtration capacity	Filtration efficiency	Dirt hold capacity	Cycle time	Suction depth	Weight	Temperature medium	Housing	Particle filter	Max. power
VITO 60	up to 60 l/min 132 lbs/min	5 µm effective 20 µm nominal	1,3kg 2.9lbs	4,5 min	~ 35cm ~ 13.8 in	7,7kg 17lbs	max. 200°C max. 397°F	Stainless steel 1.4301	Polyester cellulose	300 W
VITO 90	up to 90 l/min 198 lbs/min	5 µm effective 20 µm nominal	2,5kg 5.5lbs	4,5 min	~ 45cm ~ 17.7 in	9,2kg 20.3lbs	max. 200°C max. 397°F	Stainless steel 1.4301	Polyester cellulose	500 W

VITO XM - Technical Details



VITO XM

	Filtration power	Filtration efficiency	Particle uptake	Pumping capacity	Tank	Weight	Temperature	Material VITO	Particle filter
VITO XM	up to 30l/min up to 66 lbs/min	up to 5µm up to 0.2µinch	10,7kg 23.54lbs	35 l/min 77 lbs/min	75l 137lbs	55,8kg 123lbs	max. 200°C max. 397°F	Stainless steel 1.4301	Polyester cellulose

Configuration menu

Adapt VITO to your personal needs
(Wi-Fi capable device necessary)



The VITO product line

- 🔥 Ensure the quality of your cutting fluid
- 🔥 Save money
- 🔥 Reduce unnessecary maintenance time
- 🔥 Easy handling



Manufacturer:
VITO AG
Eltastr.6, 78532 Tuttlingen
T: +49 (0) 7461 / 1508050
F: +49 (0) 7461 / 1508051
info@vitofilter.com
www.vitofilter.com

VITO® is a registered trademark of
VITO AG, Germany.
V 5.20

Follow us on

